



Cordless and Continuous Cordloop Cellular Shades Installation Instructions

Step 1 – Getting Ready

Read the instructions entirely before beginning.

Gather the proper screws for your surface:

Surface Type	Screw Type
Studs	#6 Screws (provided)
Aluminum	Self Drilling Hex Head
Concrete	Sheet Metal Screw
Wood or Aluminum	#8 Metal Screws
Lath, Plaster, Drywall	Toggle Bolts

Gather the Recommended Tools:

- Screws from above
- Phillips head screwdriver
- Pencil
- Level
- Tape Measure
- Safety Glasses
- Drill/Drill bits (1/16" drill bit may be used to pre-drill for #6 screws)
- Wrench (if using projection brackets)
- 1/4" hex nutdriver (optional for mounting screws)

Parts

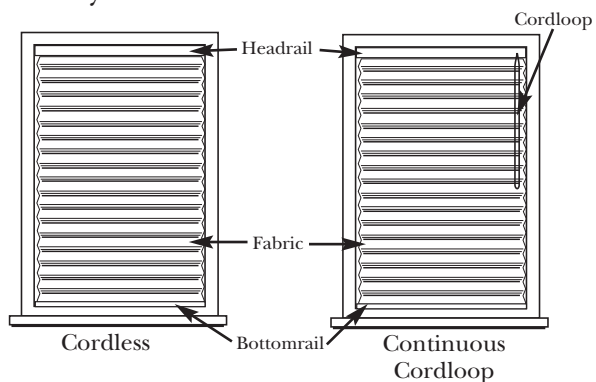
Enclosed

- Assembled Shade (keep wrapped until installed)
- Installation Brackets
- Installation Bracket Screws

Optional Parts (if ordered)

- 3/8" spacers
- Projection brackets
- Hold Down brackets
- Cordless Handles

Anatomy of a Shade



Step 2 – Choose Mounting Type

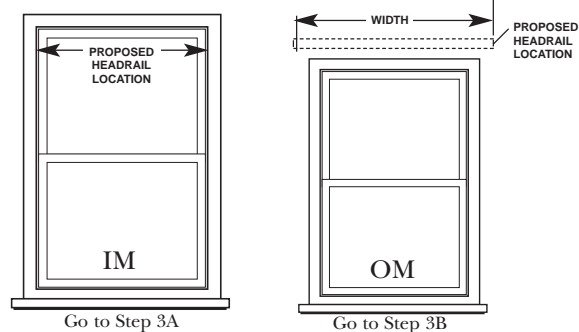
You have two choices when installing a blind/shade. Your blind was ordered as either an inside or outside mount:

Inside Mount (IM)

Entire shade sits inside the window casing. Brackets are mounted to inside top of the window casing.

Outside Mount (OM)

Headrail system is mounted to outside face of the window. Brackets are mounted outside of the window.

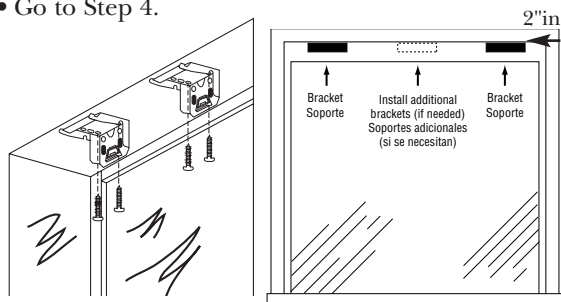


Go to Step 3A

Go to Step 3B

Step 3A – Installing Inside Mount Brackets (IM)

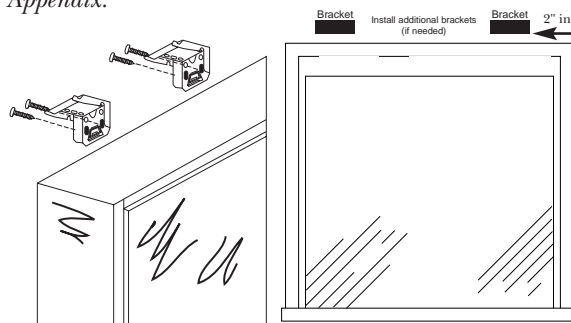
- Verify window casing has a minimum depth of 1/2".
- Place the bracket on the inside roof of the window frame 2" in from the casing. Space any remaining brackets evenly across the proposed headrail location.
- Use a pencil to mark the hole placement in the top of the bracket to identify where you will need to drill. Use level to ensure bracket alignment. (refer to placement diagram below)
- Using pencil marks as a guide, start the screw hole by pre-drilling (wood and metal mounting surfaces only). Then, holding bracket in place, drill screws into window frame.
- Repeat for each bracket.
- Use a level to check evenness from bracket to bracket.
- Go to Step 4.



Step 3B – Installing Outside Mount Brackets (OM)

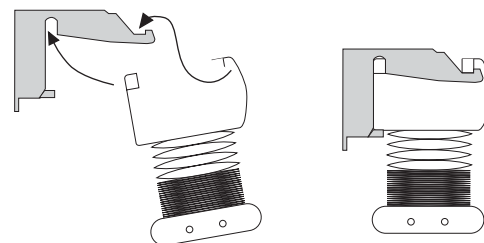
- Determine the width of your shade
- End brackets should be approximately 2" in from the end of each side of the headrail. Space any remaining brackets evenly across the headrail.
- Use a pencil to mark the hole placement in the top of the bracket to identify where you will need to drill. Use level to ensure bracket alignment. (refer to placement diagram below).
- Using pencil marks as a guide, start the screw hole by pre-drilling (wood and metal mounting surfaces only). Then, holding bracket in place, drill screws.
- Repeat for each bracket.
- Use a level to check evenness from bracket to bracket.
- Go to Step 4

*For instructions on Outside Mounting Projection Brackets or Spacers see Appendix.



Step 4 – Install Shade on Brackets

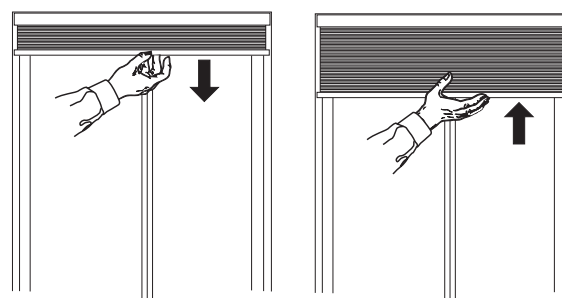
- Start by hooking the front shade lip over the front of the bracket and rotate the shade back so the rear lip of the shade snaps into the rear bracket groove.
- The shade will easily snap onto the bracket.
- Tighten the brace screws under the brackets using a Phillips screwdriver.
- Remove banding from your shade.
- **Caution:** Be sure the bracket and headrail are properly secured before operating the shade.



Step 5 – Operating Your Shade

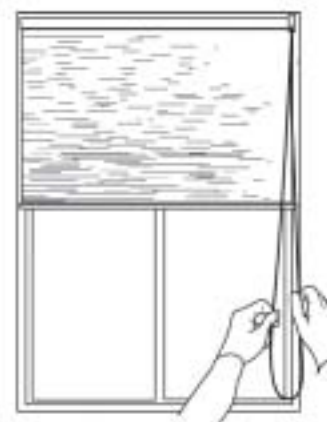
Cordless

To lower your shade, place hand on bottomrail near the center and pull down. Release and shade will remain in place. To raise shade, place hand underneath bottomrail near the center and push up until desired location is reached. Release and shade will stay in place.



Continuous Cord Loop

Pull down on one side of the cord loop to raise shade to desired height. Pull down on other side of the cord loop to lower the shade to desired height.



Special Information about this Product

Thank you for purchasing this high quality shade. You have made a purchase that will add functional and fashionable beauty to your home. Please read the Window Covering Manufacturers Association, Inc. warning included in these instructions and on the permanent label on the bottomrail of your shade. Do not remove the permanent label. This assures that future owners of this product will be aware of potential dangers associated with shade cords and children.

Cleaning

Like any piece of fine furniture, your shade should be dusted regularly. Use a brush-type vacuum attachment or feather duster for dusting; stroke lightly over the shade. To clean with water, use a damp sponge and lightly dab. Avoid contact with window cleaning products. Do not immerse shade in water.

Important Information

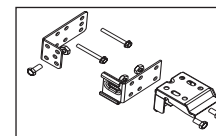
Due to the fabric construction of cellular shades and the tightly packed manner in which the product is shipped, your new shade may not immediately drop to its full length. If this occurs, allow the shade to hang open to relax the fabric. You may need to gently pull down on the bottomrail while lowering in order for shade to initially reach its full extension.

With time, pleats may settle. Pleats at the bottom will be more full than those at the top. Shades that are raised regularly will be less subject to pleat settling and will maintain a more crisp appearance.

Appendix

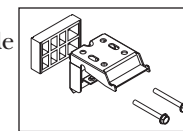
Projection Brackets (optional)

(Offers clearance for obstructions) Outside mounting projection brackets will provide 1-3" of clearance between the headrail and mounting surface. Assemble projection bracket as shown. Secure a projection bracket to each standard mounting bracket.



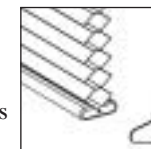
Spacers (optional)

Outside mounting spacers will provide an additional 3/8" of clearance as shown. If spacers are used, longer screws may be required to ensure a secure installation. Utilize one spacer behind each bracket.



Hold Down Brackets (optional)

(Eliminates Sway) Ideal for doors, hold down brackets prevent shade from swaying. Assemble as shown to each side of bottomrail.



Side Mount Brackets (optional)

(Ideal for windows below transoms & arches) Alternative mounting method when no frame is available above the window for mounting. Use only if shade dimensions fall within 12"W x 12"L to a maximum of 48"W x 72"L (outside mount only).

